



OF49C & OF59C COLLECTRAMATIC® OPEN FRYER

OPERATIONAL EXCELLENCE

The Collectramatic has the largest cold zone in the industry and can perform 20-30 cook cycles without filtration, which extends shortening life and reduces filtering downtime. If speed of service is important, the fryer's heat curve can be adjusted to cook up to 18 lbs. of fried chicken in as little as 10 minutes. Utilizing Winston's Quarter Rack system improves labor efficiencies because the chicken is cooked on racks and moved directly into the holding cabinet with minimal handling.

EASY-TO-USE CONTROLS

Standard to all Collectramatic fryers is a microprocessor control, which never requires calibration for accuracy. Within any of the 8 channels, up to 6 temperatures and multiple time settings can be programmed per cook cycle. The controller also offers "Flex-Time" for varying sized products and a shortening management system.

DURABLE

The cylindrical cooking pot of the Collectramatic fryer is constructed to last for many years of use. Each fryer is built with high grade stainless steel and uses less than three moving parts.

INDUSTRY COMPLIANCE

Built to comply with applicable standards for manufacturers. Included are UL, C-UL, UL Sanitation, DEMKO, CE, and MEA.



**OF49C & OF59C
COLLECTRAMATIC® FRYER**
OPEN MODEL
8-Channel Processor Control

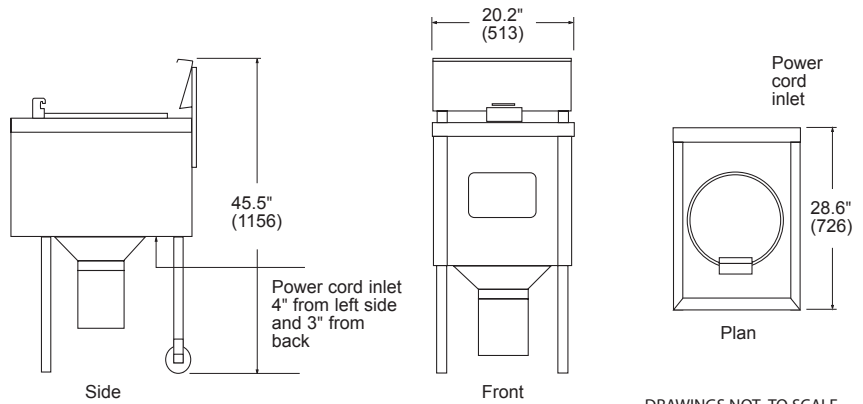
Collectramatic High Efficiency Open Fryers are the workhorses of any kitchen and can cook up to 120 deliciously golden-brown fried chickens without filtration.





OF49C & OF59C
COLLECTRAMATIC® FRYER

OPEN MODEL
 8-Channel Processor Control



DRAWINGS NOT TO SCALE

capacity	size in (mm)	volts	hertz	ph	amps	watts	circuit amps	ship wt. lb (kg)	ship cube
OF49C 4 Head 14 lbs. (6.35 kg) product 64 lbs. (27.9 kg), or 8.15g (30.85L) cooking oil	H= 45.5" (1156) W= 20.2" (513) D= 28.6" (726)	208	60	3	29.2	10500	50	179 (79)	20.0 (0.57)
		240	60	3	25.2	10500	50		
		240	60	1	43.7	10500	60		
		Intl. 400*	50	3	15.5	10500	N/A	160 (72)	call factory
OF59C 6 Head 18 lbs. (8.2 kg) product 75 lbs. (32.4 kg), or 9.55g (36.15L) cooking oil	H= 45.5" (1156) W= 20.2" (513) D= 28.6" (726)	208	60	3	29.2	10500	50	184 (83)	20.0 (0.57)
		240	60	3	25.2	10500	50		
		240	60	1	43.7	10500	60		
		Intl. 400*	50	3	15.5	10500	N/A	170 (77)	call factory

Includes: 1 clamshell basket, 1 drain hook, 1 pair gloves, 1 plugging tool, 1 displacer, 1 spatula, 2 collector gaskets, 1 Teflon® brush, 1 heat plate
 Cord and plug not included

SHORT FORM SPECS

Shall be Winston Collectramatic Open Fryer, model OF49C or OF59C with processor controls and 13" deep collector, which allows up to 360 lbs. of chicken (or equivalent) to be cooked without manual filtration or emptying collector. Utilize clamshell basket to maintain separation of product during cooking.

CONSTRUCTION

MATERIALS: To be 16 - 20 gauge stainless steel mounted on four adjustable legs. Cooking vessel to be constructed of stainless steel.
INSULATION: Full, 1-1/2" insulation around the cooking vessel.
CONTROLLER: Processor control with eight programmable channels.
VENTILATION: Required. Check local codes.
ELECTRICAL: Refer to wiring schematic included in equipment for installation assistance. Cord/Plug not included. Shipped wired for 3-phase application. Licensed electrician may be required. Check local codes.
LOAD LIMIT: Maximum of 14 lbs. (OF49C) or 18 Lbs. (OF59C) of frozen or refrigerated chicken, fish, meats, or vegetables per load.

LIMITED WARRANTY

Limited 1 year warranty, excluding gaskets, lamps, hoses, power cords, and fryer baskets. Warranty disclaimer for failure to clean. Ask for complete warranty details.

SPECIFY THE FOLLOWING WHEN ORDERING:

STANDARD (NO ADDITIONAL COST):

1. Model number.
2. Voltage preference: 208V or 240V for US or Canada. Cordset is not included.
 All units shipped 3-phase.
 * Inquire about additional international voltages available.

OPTIONAL (ADDITIONAL COST):

1. Added accessories or supplies.

INCLUDED ACCESSORIES (NO ADDITIONAL COST)

1	Clamshell basket	1	Drain hook
2	Collector gaskets	1	Heat plate
2	Lid gaskets	1	Teflon® brush
1	Spatula		

ACCESSORIES & SUPPLIES (ADDITIONAL COST)

PS1180	Utensil rack	PS1290	Open basket
PS1875	Basket lift assist	PS1874	Accessory Kit (includes gloves, plugging tool, displacer tool, spatula, and drain hook)

BUY WINSTON SERVICE PARTS, ACCESSORIES, AND SUPPLIES ONLINE!
 FACTORY DIRECT AT WWW.WINSTONINDUSTRIES.COM



WINSTON INDUSTRIES LLC
 2345 Carton Drive | Louisville, KY 40299 USA
 Phone: 1.800.234.5286 | 1.502.495.5400 | Fax: 1.502.495.5458 | www.winstonindustries.com
 Specifications subject to change without notice.